

# Elmasteam Accessories

## Product Information



## Contents

- <b>Water canister</b> .....	<b>3</b>
- <b>Evaporating dish</b> .....	<b>4</b>
- <b>Water treatment</b> .....	<b>5</b>
- <b>Elma Steam Descaler</b> .....	<b>6</b>
- <b>Wall bracket</b> .....	<b>7</b>
- <b>Compressed air</b> .....	<b>8</b>
- <b>Medical Adapter Set</b> .....	<b>9</b>
Set of different nozzle attachments .....	9
Nozzels and Tweezer .....	10
Dimension definition .....	11
- <b>Practicals</b> .....	<b>13</b>
Plastic Tweezer .....	13
Stainless steel Tweezer .....	14
Screen basket .....	15
Luer-Lock Adapter for Elmasteam 8 basic & Elmasteam 4 <sup>5</sup> .....	16
Nozzel .....	17

# Product Information



## Elmasteam Accessories - Water canister

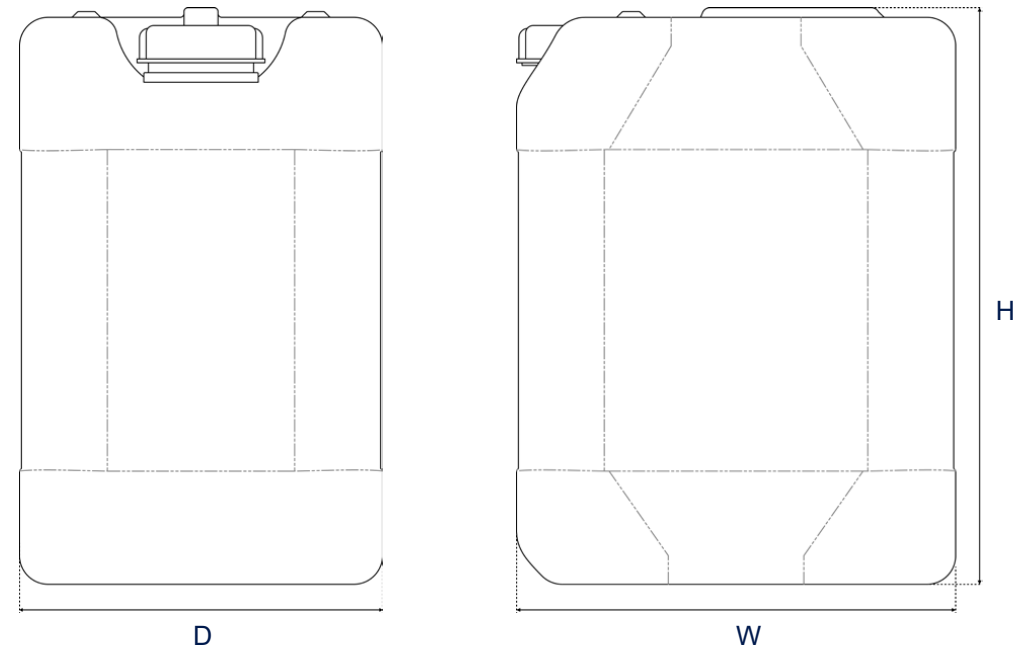
- Integrated level control
- Automatic filling of ElmaSteam 8 steam jet units with integrated pump
- Uninterrupted filling - steam jet unit can remain pressurized



### Order numbers

Order number	1070254
--------------	---------

### Dimension definition



### Technical Data

Ext. Dimensions W / D / H (mm)	235 / 195 / 305
Capacity (l)	10,0
Hose length (m)	2,0

### Product contents

- Water canister including connection hose and level control
- Funnel

The drawings are meant as a visualization aid and are not true to scale.

Technical specifications serve as orientation values and are subject to tolerances due to production and manufacturing. Proper operation can only be guaranteed when using original Elma accessories.

## Elmasteam Accessories - Evaporating dish

- Condensate and soiling are collected during evaporation, keeping the workplace clean
- Easy to transport and flexible use in the cleaning process
- The individual parts are made of stainless steel and plastic, have a smooth surface and are easy to clean
- The user-friendly holder for the Elmasteam handpiece can be positioned for left or right-handed use
- Bayonet openings in the base plate for attaching e.g. Elma pins, base comb
- The base tray can hold up to 2 liters of liquid



### Order numbers

Order number	1127588
--------------	---------

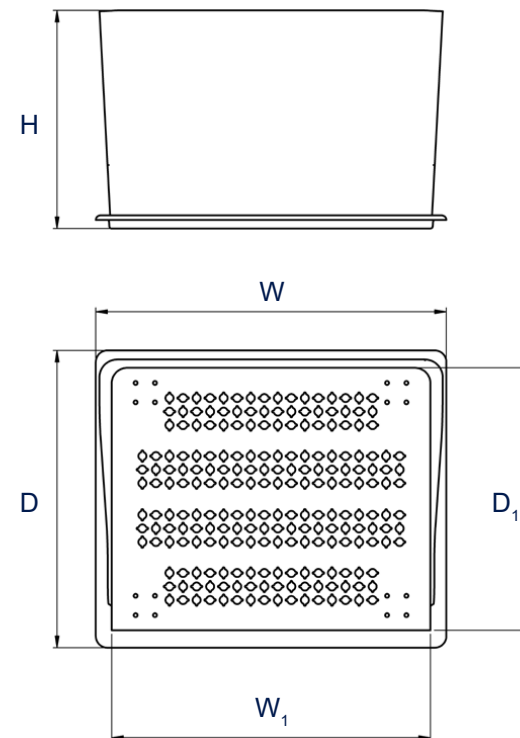
### Technical Data

Ext. Dimension W / D / H (mm)	455 / 385 / 285
Int. Dimension W <sub>1</sub> / D <sub>1</sub> (mm)	410 / 335
Weight (kg)	3,4

### Product contents

<ul style="list-style-type: none"> <li>▪ Bottom tray</li> </ul>
<ul style="list-style-type: none"> <li>▪ Grand plate with handpiece holder</li> </ul>
<ul style="list-style-type: none"> <li>▪ Splash guard with edge protection</li> </ul>
<ul style="list-style-type: none"> <li>▪ Elma Pin</li> </ul>

### Dimension definition



The drawings are meant as a visualization aid and are not true to scale.

Technical specifications serve as orientation values and are subject to tolerances due to production and manufacturing. Proper operation can only be guaranteed when using original Elma accessories.

## Elmasteam Accessories - Water treatment

Water softening unit Brita purity C150 Quell ST








- reduces carbonate hardness in water
- decarbonizes water in four stages: 1. pre-filtration - 2. carbonate hardness reduction - 3. activated carbon filtration - 4. fine filtration
- PURITY C 30 % filter head with fixed cut-off Capacity<sub>1</sub> at a carbonate hardness of 10 °dH = 2,086 liters
- positioning of the filter cartridge: horizontal or vertical
- maximum operating pressure: 8.6 bar



### Order number

	Water softening unit	Filter Cartridge	filter head	Connection set	Reduction with seal (2x)	Hose for water connection	Extension hose
Order number	1084664	1084666	1084667	1084680	1084668	1059056	1065691

### Technical Data

	Water softening unit	Filter Cartridge	filter head	Connection set	Reduction with seal (2x)	Hose for water connection	Extension hose
Dimension W / D / H (mm)	117 / 104 / 419	104 / 104 / 410			--		
Dimensions			--		3/4" - 3/8"	Ø 10 mm; L= 1 m; 3/4" - 3/4" 90°	Ø 10 mm; L= 2 m; IG 3/4" - AG 3/4" 90°
Capacity at 20° german hardness (L)	500				--		
							

Technical specifications serve as orientation values and are subject to tolerances due to production and manufacturing. Proper operation can only be guaranteed when using original Elma accessories.

# Product Information



## Elmasteam Accessories - Elma Steam Descaler

- Descaler, citric acid-based, for Elmasteam 8
- 1 packet is easy and safe to dose
- Odorless and tasteless
- Removes and prevents the build-up of limescale and boiler scale
- Descaling extends the service life, saves energy and expensive repairs



### Order numbers

Order number	8000878

### Product contents

- 5 packets of Elma Steam Descaler (45g each)
- Brief instructions descaling

Technical specifications serve as orientation values and are subject to tolerances due to production and manufacturing. Proper operation can only be guaranteed when using original Elma accessories.

# Product Information



## Elmasteam Accessories - Wall bracket

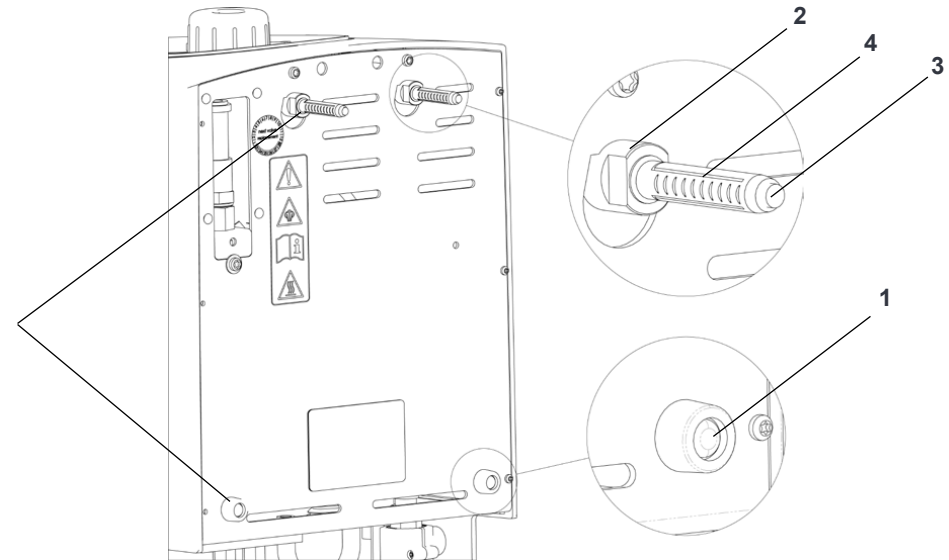
- Parts are made of stainless steel and plastic
- Mounting set for fixing the Elmasteam 4<sup>s</sup> to the wall



### Order numbers

Order number	1058677

Wall bracket



### Product contents

▪ 2x Foot (1)
▪ 2x Spacer (2)
▪ 2x Dowel (3)
▪ 2x Screw (4)

Technical specifications serve as orientation values and are subject to tolerances due to production and manufacturing. Proper operation can only be guaranteed when using original Elma devices.

# Product Information



## Elmasteam Accessories - Compressed air

- the maximum inlet pressure of 6 bar can be reduced accordingly to below 6 bar with the pressure reducer on the Elmasteam 8 basic and the Elmasteam 8 med



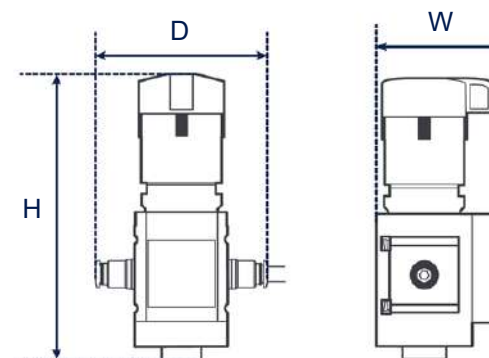
### Order numbers

	Pressure reducer	Adapter set compressed air
Order number	1092886	1080066

### Technical Data

	Pressure reducer	Adapter set compressed air
Ext. Dimension W / D / H (mm)	60 / 75 / 125	--
		

### Dimension definition



### Product contents

Druckminderer	Adapterset Druckluft
<ul style="list-style-type: none"> <li>▪ 1x Pressure reducer including 2x push-in fitting and 1x 1m hose</li> </ul>	<ul style="list-style-type: none"> <li>▪ 1x Plug connector for hose outer diameter 6mm to 8mm</li> <li>▪ 1x Plug connector for hose outer diameter 6mm to 10mm</li> <li>▪ 2x 0,35m Hose with outer diameter 6mm</li> </ul>

The drawings are meant as a visualization aid and are not true to scale.

Technical specifications serve as orientation values and are subject to tolerances due to production and manufacturing. Proper operation can only be guaranteed when using original Elma accessories.



## Elmasteam Accessories - Medical Adapter Set

### Set of different nozzle attachments

- connectable to an Elmasteam 8 med steam cleaner with standardized Luer-Lock adapter
- allows the cleaning of components and instruments with difficult-to-access areas
- storage rack for 8 different attachments
- reliable cleaning for a wide range of applications

### Order numbers

Order number	1028820
--------------	---------

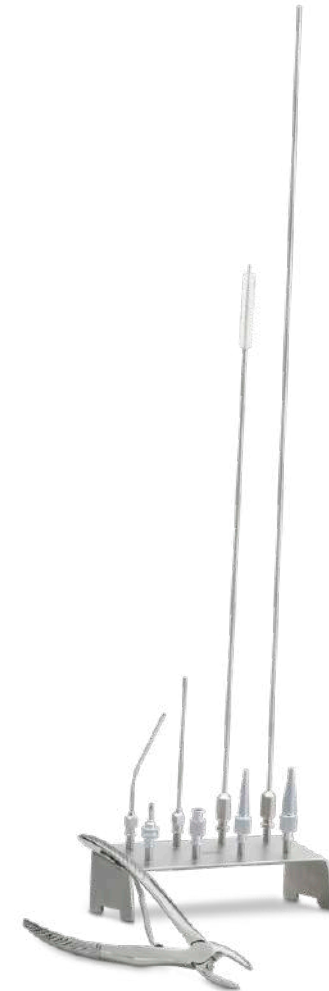
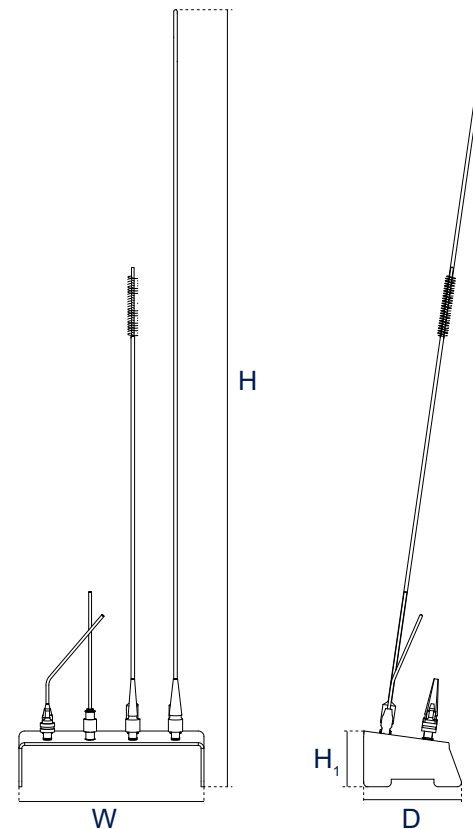
### Technical Data

Ext. Dimension W / D / H (mm)	130 / 70 / 560
Height rack H <sub>1</sub> (mm)	40

### Product contents

▪ 1x Storage rack	▪ 2x Catheter attachment
▪ 2x MIS hollow needle	▪ 1x Hose connection
▪ 2x Hollow needle attachment	▪ 1x Pliers
▪ 1x Luer-Lock adapter	

### Dimension definition



The drawings are meant as a visualization aid and are not true to scale.

Technical specifications serve as orientation values and are subject to tolerances due to production and manufacturing. Proper operation can only be guaranteed when using original Elma accessories.

## Elmasteam Accessories - Medical Adapter Set

### Nozzels and Tweezer

#### Order numbers

	MIS hollow needle	MIS hollow needle with brush	Hollow needle attachment straight	Hollow needle attachment circumflex	Catheter attachment large	Catheter attachment medium	Hose connection large	Adapter Luer-Lock female / female	Pliers
Order number	1028822	1055030	1028823	1028824	1028825	1028826	1028827	1028828	1028831

#### Technical Data

	MIS hollow needle	MIS hollow needle with brush	Hollow needle attachment straight	Hollow needle attachment circumflex	Catheter attachment large	Catheter attachment medium	Hose connection large	Adapter Luer-Lock female / female	Pliers
Total length $L_1$ (mm)	525	338	103	88	44	44	26	21	115
Usable length $L_2$ (mm)	501	315	84	61	29	29	12	9	16
Diameter D (mm)	2,5	2,5	2	2	2-9	2,5-6,5	3,5	9	--
Width W (mm)	--	--	--	--	--	--	--	--	29
Height H (mm)	--	--	--	--	--	--	--	--	15



The drawings are meant as a visualization aid and are not true to scale.

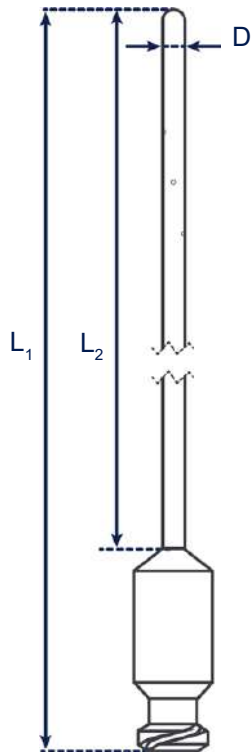
Technical specifications serve as orientation values and are subject to tolerances due to production and manufacturing. Proper operation can only be guaranteed when using original Elma devices.

## Elmasteam Accessories - Medical Adapter Set

### Dimension definition

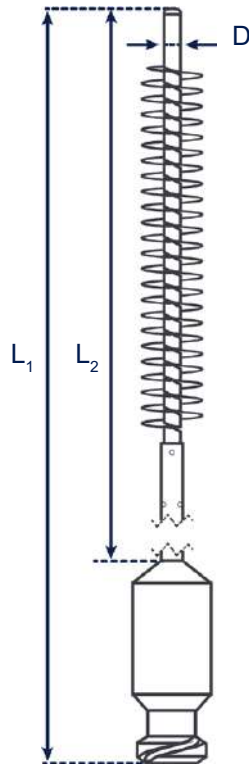
#### MIS hollow needle

for tube shafts,  
lateral steam outlet



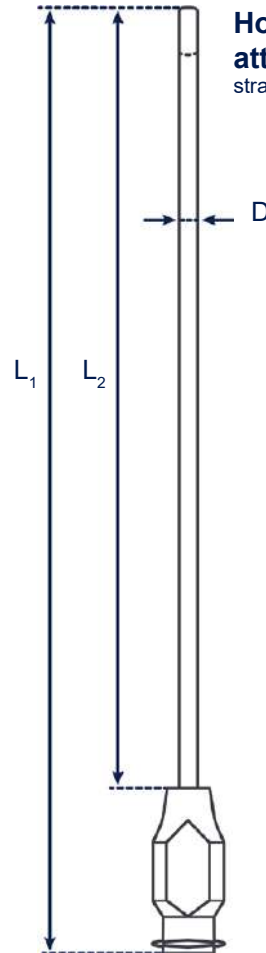
#### MIS hollow needle

with brush, for tube shafts,  
steam outlet behind brush hem



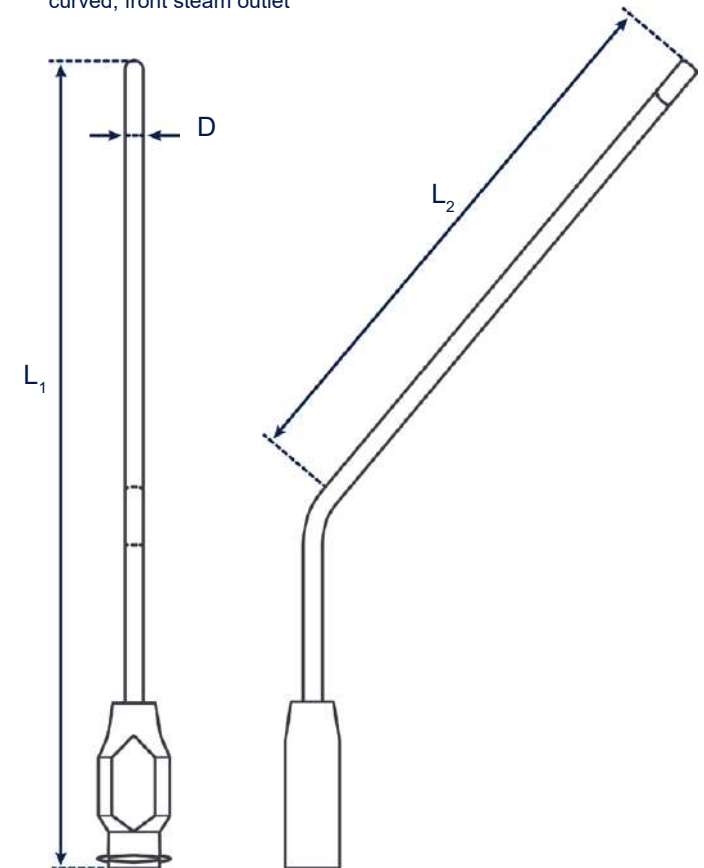
#### Hollow needle attachment

straight, front steam outlet



#### Hollow needle attachment

curved, front steam outlet



The drawings are meant as a visualization aid and are not true to scale.

Technical specifications serve as orientation values and are subject to tolerances due to production and manufacturing. Proper operation can only be guaranteed when using original Elma devices.

## Elmasteam Accessories - Medical Adapter Set

### Dimension definition

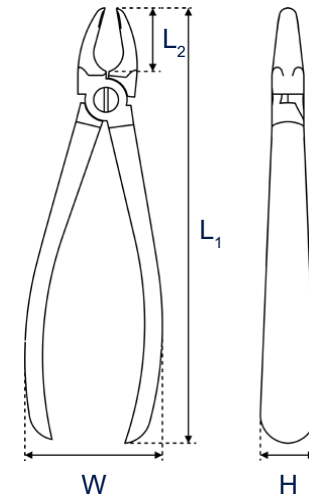
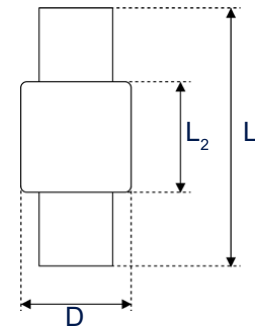
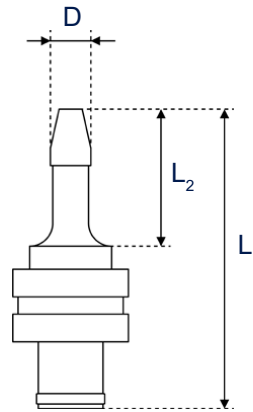
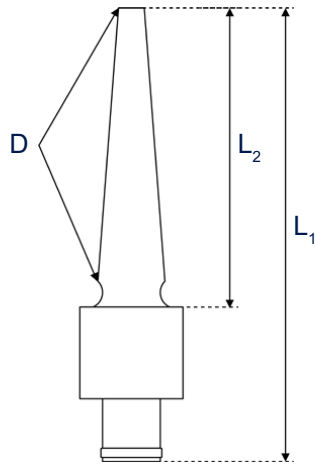
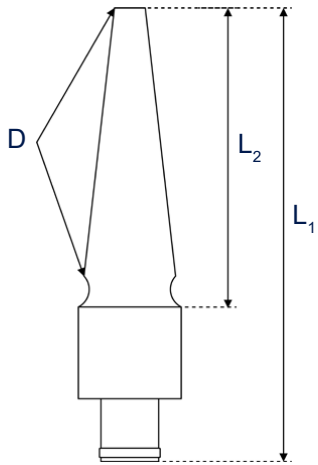
**Catheter attachment**  
large,  
front steam outlet

**Catheter attachment**  
medium,  
front steam outlet

**Hose connection**  
large,  
front steam outlet

**Adapter Luer-Lock**  
fem. / fem.,  
front steam outlet

**Pliers**



The drawings are meant as a visualization aid and are not true to scale.

Technical specifications serve as orientation values and are subject to tolerances due to production and manufacturing. Proper operation can only be guaranteed when using original Elma devices.

## Elmasteam Accessories - Practicals

### Plastic Tweezer

- for precise gripping of cleaning goods without contact of the hands with the cleaning agent



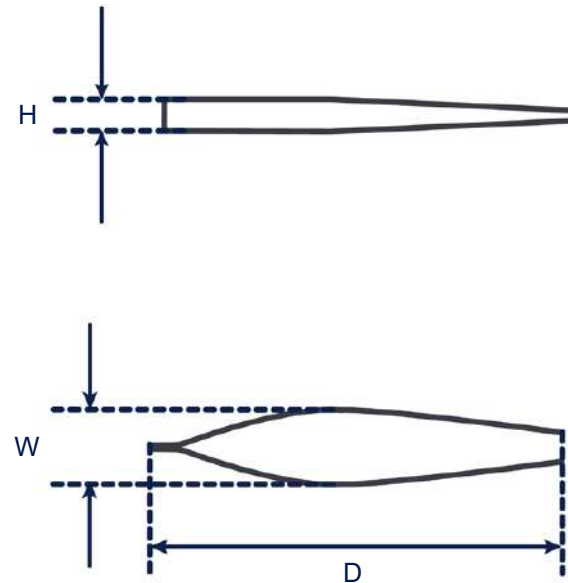
### Order number

Order number	2000001536

### Technical Data

Ext. Dimension W / D / H (mm)	25 / 130 / 10

### Dimension definition



The drawings are meant as a visualization aid and are not true to scale.

Technical specifications serve as orientation values and are subject to tolerances due to production and manufacturing. Proper operation can only be guaranteed when using original Elma accessories.

## Elmasteam Accessories - Practicals

### Stainless steel Tweezer



- the front part of the tweezer has a coating of PVC
- for precise gripping of cleaning goods without contact of the hands with the cleaning agent
- Tweezer 1118673 have an integrated lock that secures the tweezer when closed



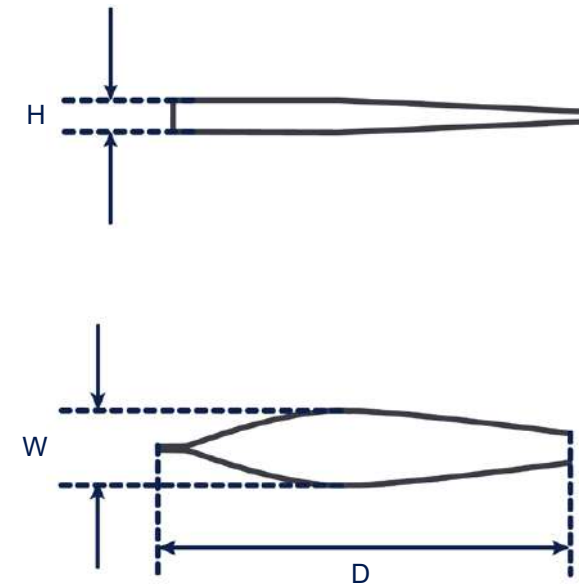
### Order numbers

	Straight short	Straight long	Curved with lock
Order number	376071000	1118674	1118673

### Technical Data

	Straight short	Straight long	Curved with lock
Ext. Dimension W / D / H (mm)	200 / 25 / 15	300 / 30 / 15	150 / 20 / 15
			

### Dimension definition



The drawings are meant as a visualization aid and are not true to scale.

Technical specifications serve as orientation values and are subject to tolerances due to production and manufacturing. Proper operation can only be guaranteed when using original Elma accessories.

## Elmasteam Accessories - Practicals

### Screen basket

- Stainless steel - PVC-coated
- Hinged
- Autoclavable



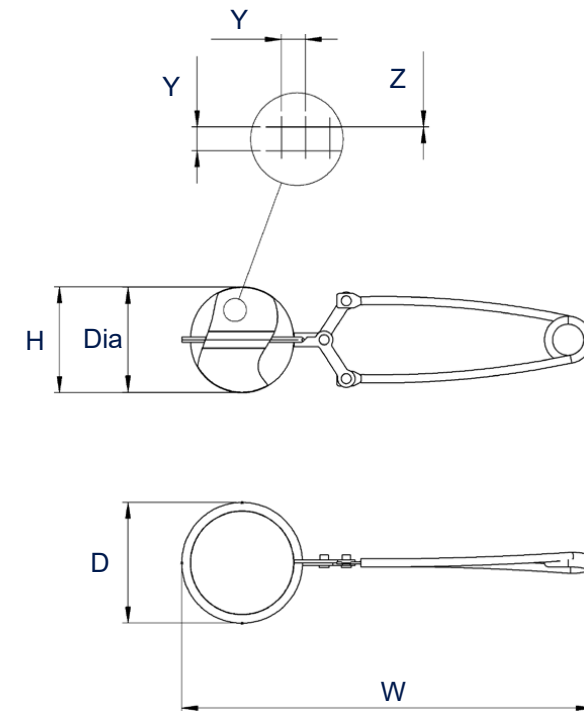
### Order numbers

	Small	Big
Order number	3760720000	3760730000

### Technical Data

	Small	Big
Ext. Dimension W / D / H (mm)	155 / 45 / 40	185 / 75 / 70
Internal diameter Dia (mm)	35	64
Mesh size Y x Z (mm)	1,0 x 0,2	

### Dimension definition



The drawings are meant as a visualization aid and are not true to scale.

Technical specifications serve as orientation values and are subject to tolerances due to production and manufacturing. Proper operation can only be guaranteed when using original Elma Units.

## Elmasteam Accessories - Practicals

### Luer-Lock Adapter for Elmasteam 8 basic & Elmasteam 4<sup>5</sup>

- For connecting accessories with Luer-Lock connection, e.g. Medical Adapter Set



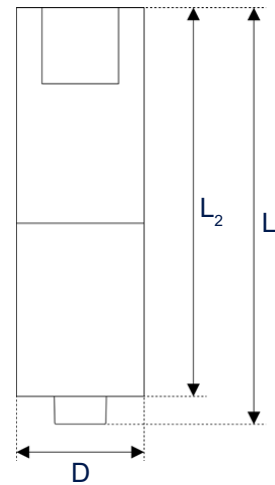
### Order numbers

Order number	1091332

### Technical Data

Total length $L_1$ (mm)	33
Usable length $L_2$ (mm)	30
Diameter D (mm)	10

### Dimension definition



The drawings are meant as a visualization aid and are not true to scale.

Technical specifications serve as orientation values and are subject to tolerances due to production and manufacturing. Proper operation can only be guaranteed when using original Elma devices.



## Elmasteam Accessories - Practicals

### Nozzel

- made of stainless steel and plastic
- control via foot switch allows cleaning with both hands



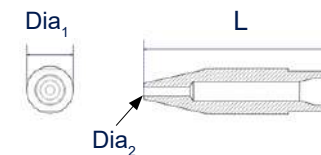
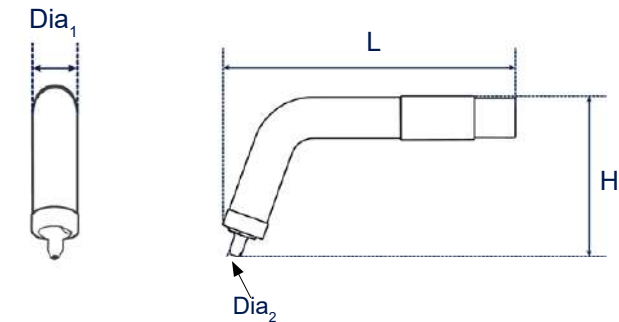
### Order numbers

	Fixed Nozzle	Nozzle for Elmasteam basic handpiece
Order number	1076042	1076043

### Technical Data

	Fixed Nozzle	Nozzle for Elmasteam basic handpiece
Ext. Dimension W / D / H (mm)	140 / 20 / 75	45 / 10
Internal diameter Dia (mm)	2	
		

### Dimension definition



The drawings are meant as a visualization aid and are not true to scale.

Technical specifications serve as orientation values and are subject to tolerances due to production and manufacturing. Proper operation can only be guaranteed when using original Elma accessories.