

Sapphire Driver Unit

Operate, Control and Monitor Sapphire Laser Heads

The Sapphire Driver Unit provides controller and power supply in a wall plug-ready box, featuring a standby/laser ON switch and remote control options via Analog, RS-232 and USB interface.

The Driver Unit enables and simplifies stand-alone applications: it can operate, control and monitor all laser heads of the Sapphire line: Sapphire LP, Sapphire FP, Sapphire SF. A Sapphire CDRH laser head and a Sapphire Driver Unit when properly installed will be CDRH compliant.



Superior Reliability & Performance

Sapphire Driver Unit Features:

- **One-box wall plug controller and power supply**
- **Enables stand-alone applications (CDRH Compliant)**
- **Standby/Laser ON key switch**
- **Remote interlock**
- **Remote control option via Analog, RS-232, or USB interface**
- **Laser power adjustment and graphic display (optional)**
- **Front panel control with laser power adjustment and status display (optional)**
- **Status LEDs**

Sapphire Driver Unit for:

- **Sapphire LP**
- **Sapphire FP**
- **Sapphire SF**

Sapphire Driver Unit

Operate, Control and Monitor Sapphire Laser Heads

Utility and Environmental Requirements

Sapphire Driver Unit

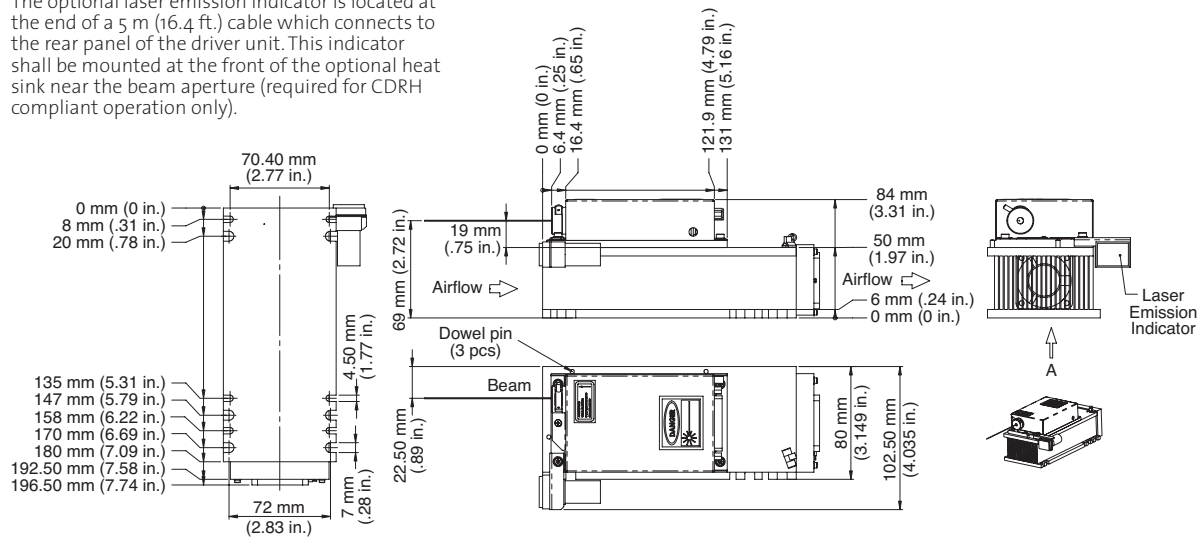
Power Consumption (VA)	<140
Operating Voltage	88 to 264 VAC, 50/60 Hz
Ambient Temperature	
Operating Conditions	10 to 40°C (50 to 104°F), non-condensing
Non-Operating Condition	-30 to 60°C (-22 to 140°F)
Dimensions ¹ (L x W x H)	196 X 164 X 99.5 mm (7.72 x 6.46 x 3.92 in.)
Cable Length (Head to Controller)	2 m (6.56 ft.), optional 5 m (16.4 ft.)
Weight	1.85 kg (4.08 lbs.)

Measurement Tools

Meter	FieldMax™-TO
Sensor	PS10Q

¹ Please consider additional space for the front panel switches and the cable connections on the rear panel.

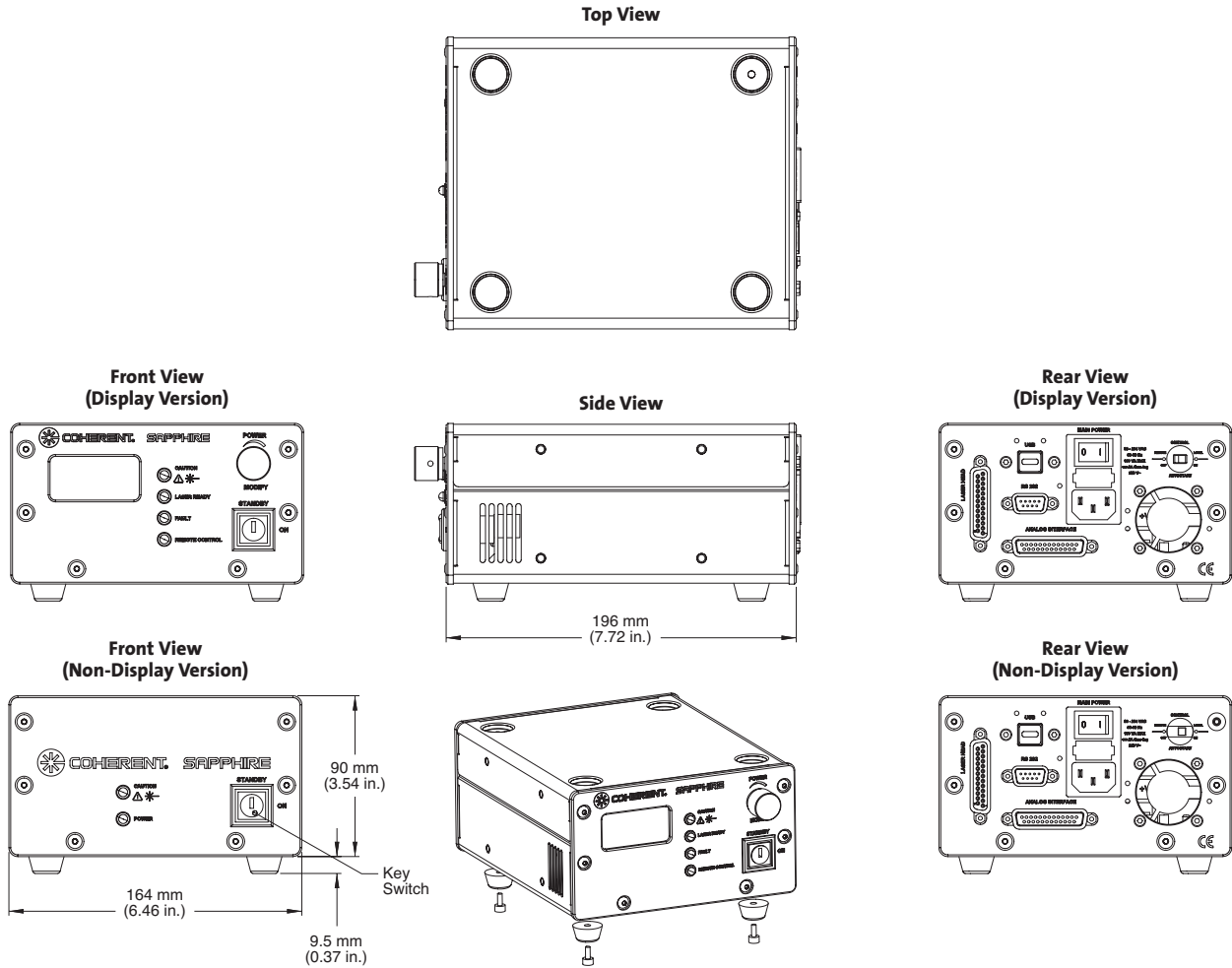
The optional laser emission indicator is located at the end of a 5 m (16.4 ft.) cable which connects to the rear panel of the driver unit. This indicator shall be mounted at the front of the optional heat sink near the beam aperture (required for CDRH compliant operation only).



Sapphire Driver Unit

Operate, Control and Monitor Sapphire Laser Heads

Mechanical Specifications



 **COHERENT**
www.Coherent.com

Coherent, Inc.,
5100 Patrick Henry Drive
Santa Clara, CA 95054
phone (800) 527-3786
(408) 764-4983
fax (408) 764-4646
e-mail tech.sales@Coherent.com

Benelux +31 (30) 280 6060
China +86 (10) 8215 3600
France +33 (0)1 8038 1000
Germany/Austria/
Switzerland +49 (6071) 968 333
Italy +39 (02) 31 03 951
Japan +81 (3) 5635 8700
Korea +82 (2) 460 7900
Taiwan +886 (3) 505 2900
UK/Ireland +44 (1353) 658 833

Coherent follows a policy of continuous product improvement. Specifications are subject to change without notice.

Coherent's scientific and industrial lasers are certified to comply with the Federal Regulations (21 CFR Subchapter J) as administered by the Center for Devices and Radiological Health on all systems ordered for shipment after August 2, 1976.

Coherent offers a limited warranty for all Sapphire lasers. For full details of this warranty coverage, please refer to the Service section at www.Coherent.com or contact your local Sales or Service Representative.

U.S. Patent No. 5,954,978
U.S. Patent No. 5,991,318
U.S. Patent No. 6,097,742
U.S. Patent No. 6,167,068
U.S. Patent No. 6,370,168