



OPA 9400/9800 Series

Optical Parametric Amplifiers for RegA 9000/9050
Regenerative Amplifier Accessory

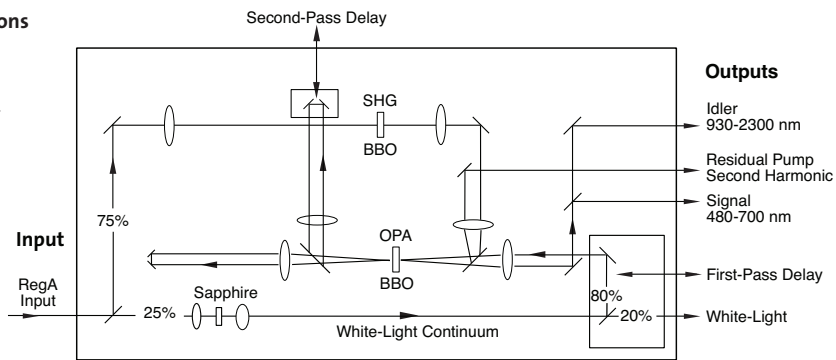


Features

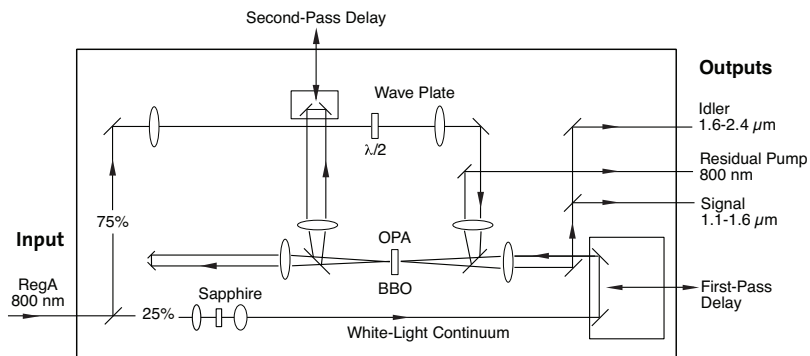
- Variable repetition-rate
- Multiple synchronized output beams
- Whitelight continuum seed for ease of tuning
- Difference-frequency generation (DFG) options extend tuning to the mid-IR region

Mechanical Specifications

OPA 9400/9450
Physical dimensions of
Laser Head (L x W x H)
720 X 408 x 195 mm
(28.8 x 16.3 x 7.8 in.)



OPA 9800/9850
Physical dimensions of
Laser Head (L x W x H)
720 X 408 x 195 mm
(28.8 x 16.3 x 7.8 in.)



Superior Reliability & Performance

OPA 9400/9800 Series™

Optical Parametric Amplifiers for RegA 9000/9050 Regenerative Amplifier Accessory

System Specifications¹

	OPA 9400	OPA 9450	OPA 9800	OPA 9850
Repetition-Rate (kHz)			250	
Pulse Energy (nJ)		80		160
Average Power (mW)		20		40
Signal Output (nm)	480 to 700		1200 to 1600	
Idler Output (nm)	933 to 2300		1600 to 2400	
Pulse Width	<225 fs AC	See Note ⁴	<225 fs	See Note ⁴
Noise ² (%)			±2.0	
Stability ³ (%)			±2.0	
M ²			<2.0	

¹ Specifications based on output of one OPA, 10W Verdi pumping a RegA 9000/9050, and either Mira/Verdi or Vitesse seeding.

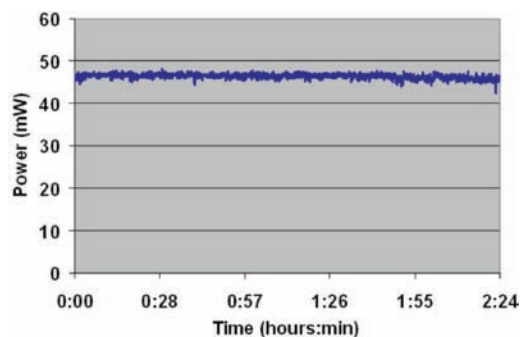
Same specifications apply for two simultaneously pumped OPAs at 100 kHz.

² Peak-to-peak noise measured in one hour at 10 Hz to 100 Hz.

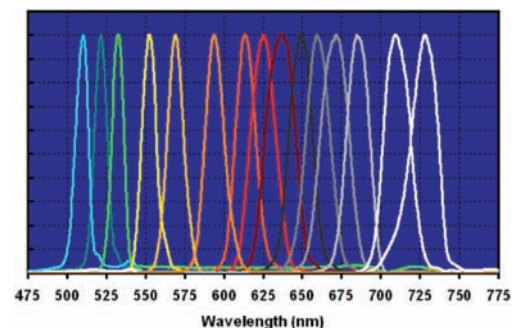
³ Power drift over one hour (after 15-minute warm-up); crystal temperature controlled with supplied chiller; room temperature stable <±1°C.

⁴ Compressible to pump pulse width using external pulse compressor (not provided).

OPA 9450 Power Stability (Pumped by RegA 9040)



OPA 9450 Output Spectra Across Tuning Range (pumped by RegA 9040)



Coherent follows a policy of continuous product improvement. Specifications are subject to change without notice.

Coherent's scientific and industrial lasers are certified to comply with the Federal Regulations (21 CFR Subchapter J) as administered by the Center for Devices and Radiological Health on all systems ordered for shipment after August 2, 1976.

Coherent offers a limited warranty for all OPA 9400/9800 accessories. For full details of this warranty coverage, please refer to the Service section at www.Coherent.com or contact your local Sales or Service Representative.



www.Coherent.com

Coherent, Inc.
 5100 Patrick Henry Drive
 Santa Clara, CA 95054
 phone (800) 527-3786
 (408) 764-4983
 fax (408) 764-4646
 e-mail tech.sales@Coherent.com

Benelux +31 (30) 280 6060
 China +86 (10) 6280 0209
 France +33 (0)1 6985 5145
 Germany +49 (6071) 968 333
 Italy +39 (02) 34 530 214
 Japan +81 (3) 5635 8700
 Korea +82 (2) 460 7900
 UK +44 (1353) 658 833

