



OBIS LX/LS Scientific Remote

Laser Remote and Power Supply for up to Six Lasers

OBIS LX and OBIS LS laser products come with a variety of accessories to support your application needs.

The OBIS Scientific Remote for OBIS LS and OBIS LX offers all the features from the laser in a convenient CDRH-compliant interface with a touch-screen and internal power supply for up to six lasers.

As with all OBIS LX and OBIS LS lasers, the laser itself offers a stand-alone all-in-one laser solution. The OBIS laser comes with a Power Connection, USB Connection, Fan Connection and a SDR-type Connection for laser control I/O. All of these are on the back panel of every OBIS LX/LS laser.

To simplify integration the OBIS Scientific Remote connects to the single SDR-type connector for power, signals and communication. The OBIS Scientific Remote then brings all of these features to controls and connectors on the Remotes front panel.

OBIS Scientific Remote offers a convenient handle to angle the unit for easier display.

Figure 1: OBIS LX/LS Scientific Remote for up to six lasers. Lasers sold separately.



Superior Reliability & Performance

OBIS LX/LS Scientific Remote Features:

- Complete remote control of up to six OBIS lasers
- Touchscreen interface with audio
- Modulation inputs for analog and digital for six lasers
- USB, RS-232 and Ethernet for additional control from host computer
- OBIS connection software for PC
- Single SDR connection to each laser
- Internal power supply remote and six lasers
- Laser safety features such as key switch and interlock

OBIS LX/LS Scientific Remote Applications:

- Laboratories needing CDRH features
- Applications wanting a simple Analog or Digital inputs to control the laser
- Applications wanting laser control at a remote location away from the laser

www.Coherent.com/OBISHeatSink

OBIS LX/LS Scientific Remote

Laser Remote and Power Supply for up to Six Lasers

System Specifications

OBIS LS/LX Scientific Remote

Touchscreen Display Size	108 mm (4.3 in.) diagonal
Touchscreen Display Resolution, Type	480 x 272 pixel, QVGA, TFT, 24-bit color
Touchscreen Display Mode ¹	Resistive Touchscreen
Audio	Yes
Internal Power Supply	Yes
OBIS Lasers that can be connected	1 to 6 lasers with power to optional 1 to 6 heat sink cooling fans
Host Computer Remote Control via USB ²	USB 2.0, Mini B
Host Computer Remote Control via RS-232 ²	RS-232 115.2K, 8N1
Host Computer Remote via Ethernet ²	Ethernet 10/100 (Mb) RJ45
Carry Handle and Stand	3-Position
Interlock	Yes, included with shorting wire
Laser Status Indicators	Yes, Individual LED for each laser
Analog Modulation Input	SMB, 2000 Ohm, 0 to 5V
Digital Modulation Input ³	SMB, 50 Ohm, 0 to 3V
Warm-up Time (minutes)(from cold start)	<2
OBIS Connection Software ²	Included on USB drive with user manual

Utility and Environmental Requirements

Power Consumption (W)(typical)	5 (without lasers)
Power Consumption (W)(maximum)	110 (with 6 lasers)
Internal Cooling Fan	Yes
Power Input - Universal	IEC-320
Power Cord (USA)	2.4m (8 ft.)
Operating Condition ⁴ (°C)	0 to 50
Non-operating Condition ⁴ (°C)	-10 to +70
Shock Tolerance (6 ms)	20 g
Operating Voltage	90 to 264 VAC, 47 to 63 Hz
Dimensions (L x W x H)	180 x 293.5 x 104.4 mm (7.09 x 11.55 x 4.11 in.)
Weight	1.75 kg (3.86 lbs.)
Weight, Laser-to-Remote Cable (optional)	0.1 kg for 1 meter (0.25 kg for 3 meter)
Part Number for OBIS Scientific Remote	1234465
Part Number for OBIS Scientific Remote with Six Laser-to-Remote SDR Cables Included (1m each)	1234466
Part Number for OBIS LX/LS SDR-Type Cable from Laser to Remote	
1-meter	1179451
3-meter	1179858
0.3-meter	1197523

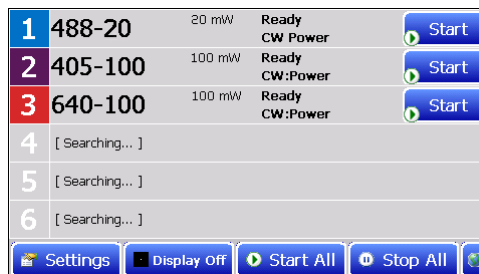
¹ Resistive touchscreen will work with gloves. This is a pressure sensitive touchscreen - not capacitive.

² Host computer not provided. RS-232 and USB cable not provided. Software operates on Windows 7.

³ Digital modulation can be driven up to 5V.

⁴ Non-condensing.

Screen Shot



OBIS LX/LS Scientific Remote

Laser Remote and Power Supply for up to Six Lasers

Other OBIS Laser Remotes

Description



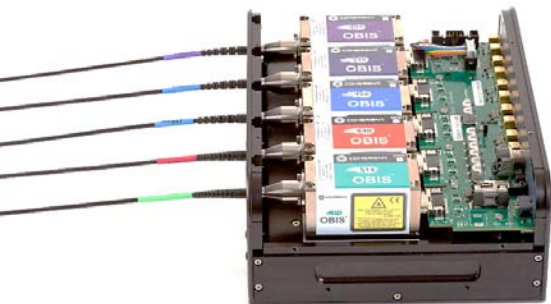
OBIS LX/LS Single Laser Remote with full features for control with analog/digital inputs. Includes USB and RS-232 on the Remote.



OBIS LX/LS 6-Laser Remote with CDRH features. Separate power switches and power cables for each laser.



OBIS LX/LS Scientific Remote with full features for control with analog/digital inputs for up to six lasers. User interface touch screen and connectivity through USB, RS-232 and Ethernet.



OBIS LX/LS Laser Box with five laser mounting bays with thermal management, cooling fans, analog/digital inputs, RS-232, USB, key-switch and interlock in one compact package. Lasers sold separately.

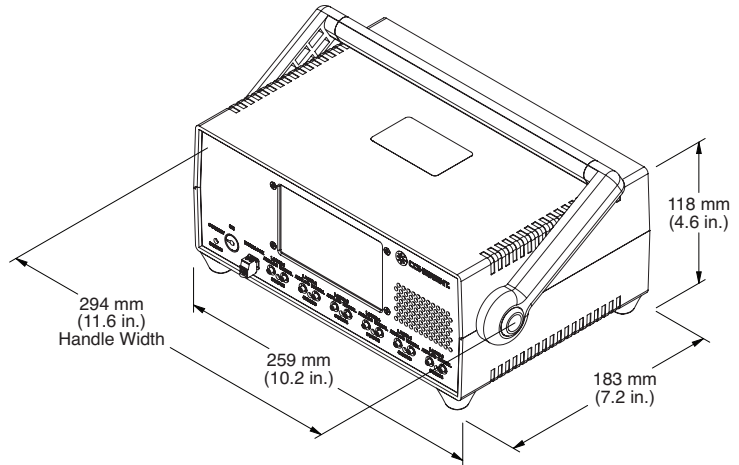
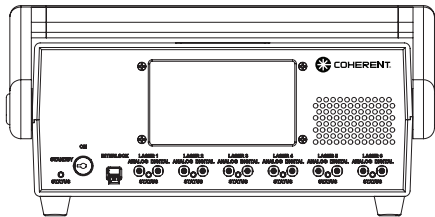
OBIS LX/LS Scientific Remote

Laser Remote and Power Supply for up to Six Lasers

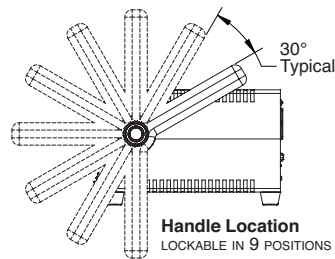
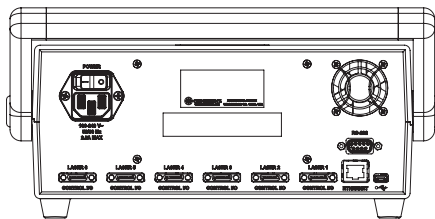
Mechanical Specifications

OBIS LX/LS Scientific Remote

Front View



Rear View



 **COHERENT**
www.Coherent.com

Coherent, Inc.,
5100 Patrick Henry Drive
Santa Clara, CA 95054
phone (800) 527-3786
(408) 764-4983
fax (408) 764-4646
e-mail tech.sales@Coherent.com

Benelux +31 (30) 280 6060
China +86 (10) 8215 3600
France +33 (0)1 8038 1000
Germany/Austria/
Switzerland +49 (6071) 968 333
Italy +39 (02) 31 03 951
Japan +81 (3) 5635 8700
Korea +82 (2) 460 7900
Taiwan +886 (3) 505 2900
UK/Ireland +44 (1353) 658 833

Coherent follows a policy of continuous product improvement. Specifications are subject to change without notice.

Coherent's scientific and industrial lasers are certified to comply with the Federal Regulations (21 CFR Subchapter J) as administered by the Center for Devices and Radiological Health on all systems ordered for shipment after August 2, 1976.

Coherent offers a limited warranty for all OBIS LS/LX Scientific Remotes. For full details of this warranty coverage, please refer to the Service section at www.Coherent.com or contact your local Sales or Service Representative.