

MATRIX Accessories

Accessories for MATRIX Solid-State, Q-Switched Lasers

A host of essential accessories support the Coherent MATRIX lasers. These accessories provide easy integration and are specifically designed and selected to enable optimum performance of the MATRIX lasers.

Specifications

MATRIX UV	MATRIX UV and IR/Green	MATRIX IR/Green
Mounting Feet, UV	90° Cable Adapter	Mounting Feet, IR
Kinematic Mounts and Balls, UV	Water-Cooling Plate Kit	Kinematic Mounts and Balls, IR
		Beam Expander Mount

MATRIX Accessories Features:

- **Beam Expander Mount**
- **90° Cable Adapter**
- **Kinematic Mounts and Balls, IR and UV**
- **Mounting Feet, IR and UV**
- **Water-Cooling Plate Kit**

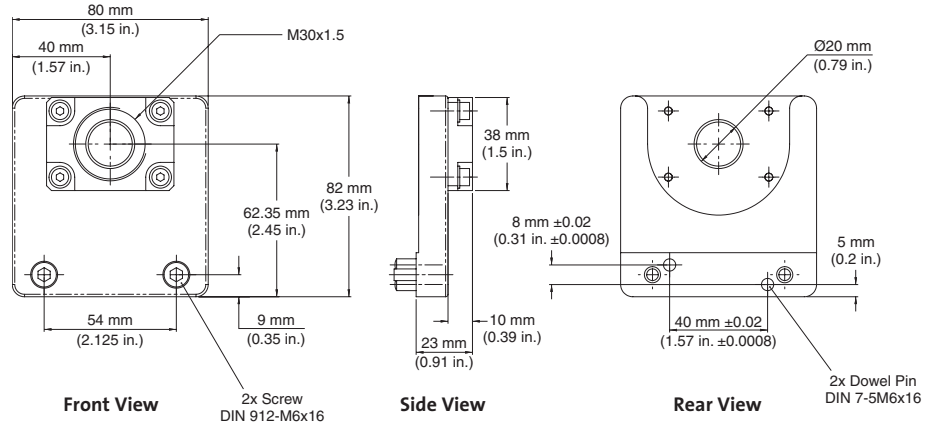
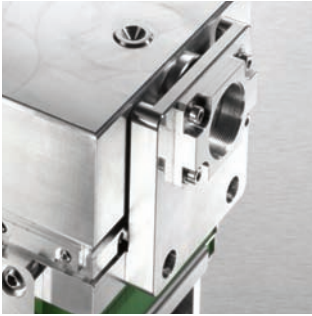


MATRIX Accessories

Accessories for MATRIX Solid-State, Q-Switched Lasers

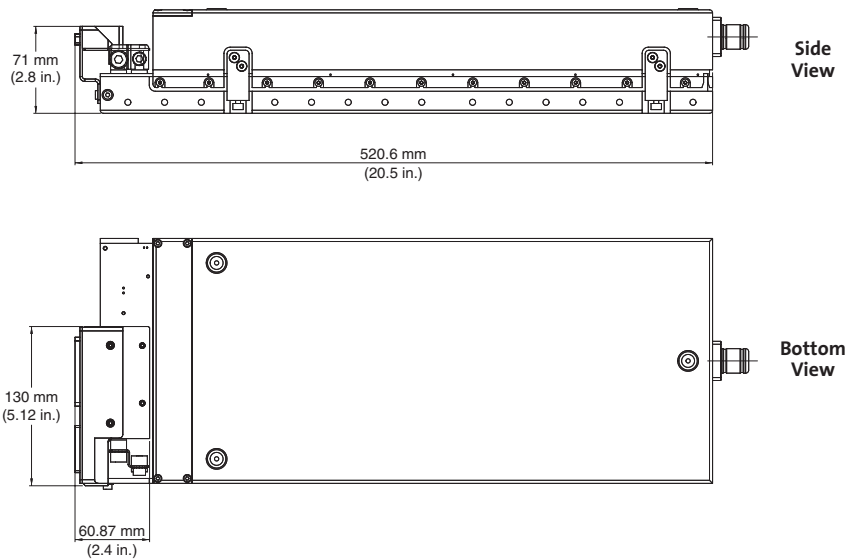
Beam Expander Mount

Part Number: 1128537



90° Cable Adapter

Part Number: 1143342



MATRIX Accessories

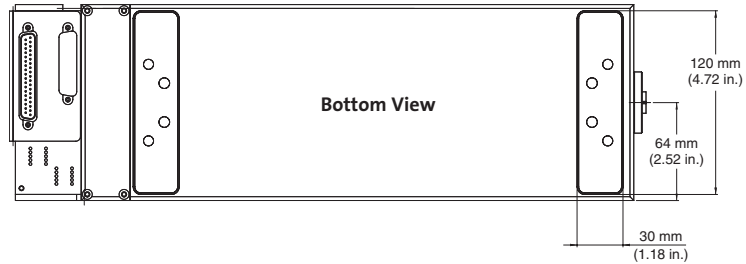
Accessories for MATRIX Solid-State, Q-Switched Lasers

Kinematic Mounts and Balls, IR*

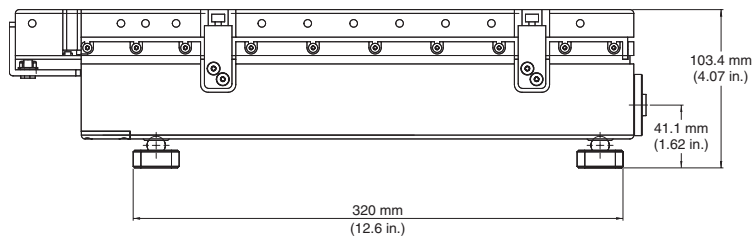
Part Number: 1147677



* Compatible to standard 1 inch and 25 mm grid breadboards.



Side View

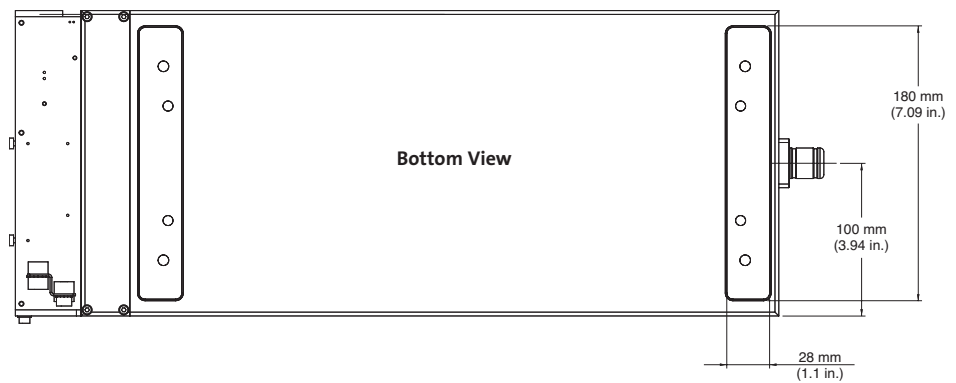


Kinematic Mounts and Balls, UV*

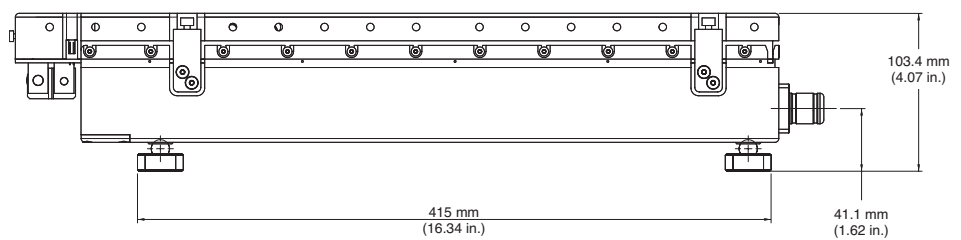
Part Number: 1128559



* Compatible to standard 1 inch and 25 mm grid breadboards.



Side View



MATRIX Accessories

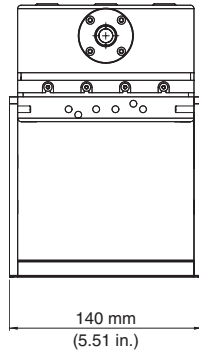
Accessories for MATRIX Solid-State, Q-Switched Lasers

Mounting Feet, IR

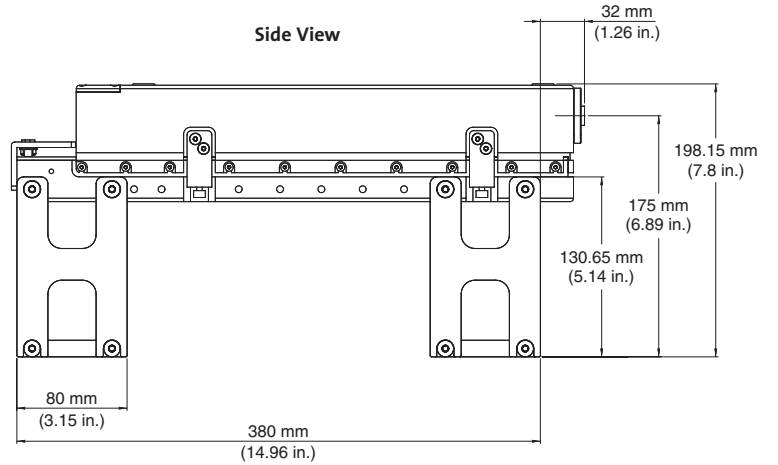
Part Number: 1128560



Front View

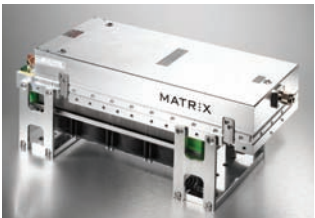


Side View

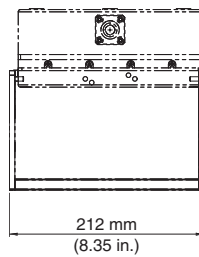


Mounting Feet, UV

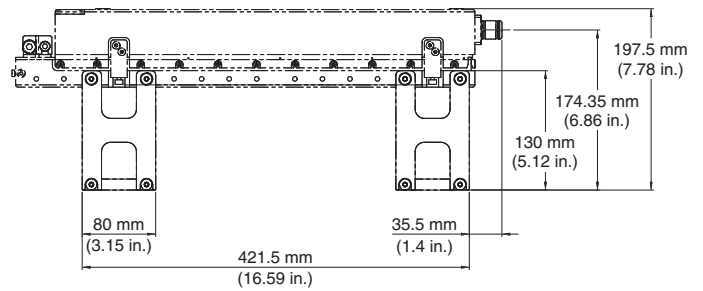
Part Number: 1128561



Front View



Side View

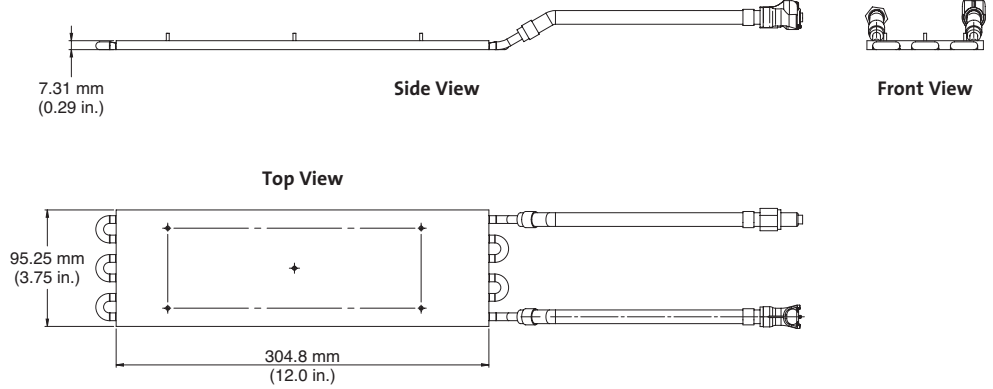


MATRIX Accessories

Accessories for MATRIX Solid-State, Q-Switched Lasers

Water Cooling Plate Kit, with or without hoses

Part Number: 1150234 / 1171107



 **COHERENT**
www.Coherent.com

Coherent, Inc.,
5100 Patrick Henry Drive
Santa Clara, CA 95054
phone (800) 527-3786
(408) 764-4983
fax (408) 764-4646
e-mail tech.sales@Coherent.com

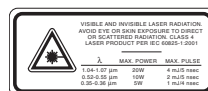
Benelux +31 (30) 280 6060
China +86 (10) 8215 3600
France +33 (0)1 8038 1000
Germany/Austria/
Switzerland +49 (6071) 968 333
Italy +39 (02) 31 03 951
Japan +81 (3) 5635 8700
Korea +82 (2) 460 7900
Taiwan +886 (3) 505 2900
UK/Ireland +44 (1353) 658 833

Printed in the U.S.A. MC-045-08-0M0914Rev.C
Copyright ©2014 Coherent, Inc.

Coherent follows a policy of continuous product improvement. Specifications are subject to change without notice.

Coherent's scientific and industrial lasers are certified to comply with the Federal Regulations (21 CFR Subchapter J) as administered by the Center for Devices and Radiological Health on all systems ordered for shipment after August 2, 1976.

Coherent offers a limited warranty for all MATRIX Accessories. For full details of this warranty coverage, please refer to the Service section at www.Coherent.com or contact your local Sales or Service Representative.



 ISO 9001 Registered