

Living up to Life

Leica
MICROSYSTEMS



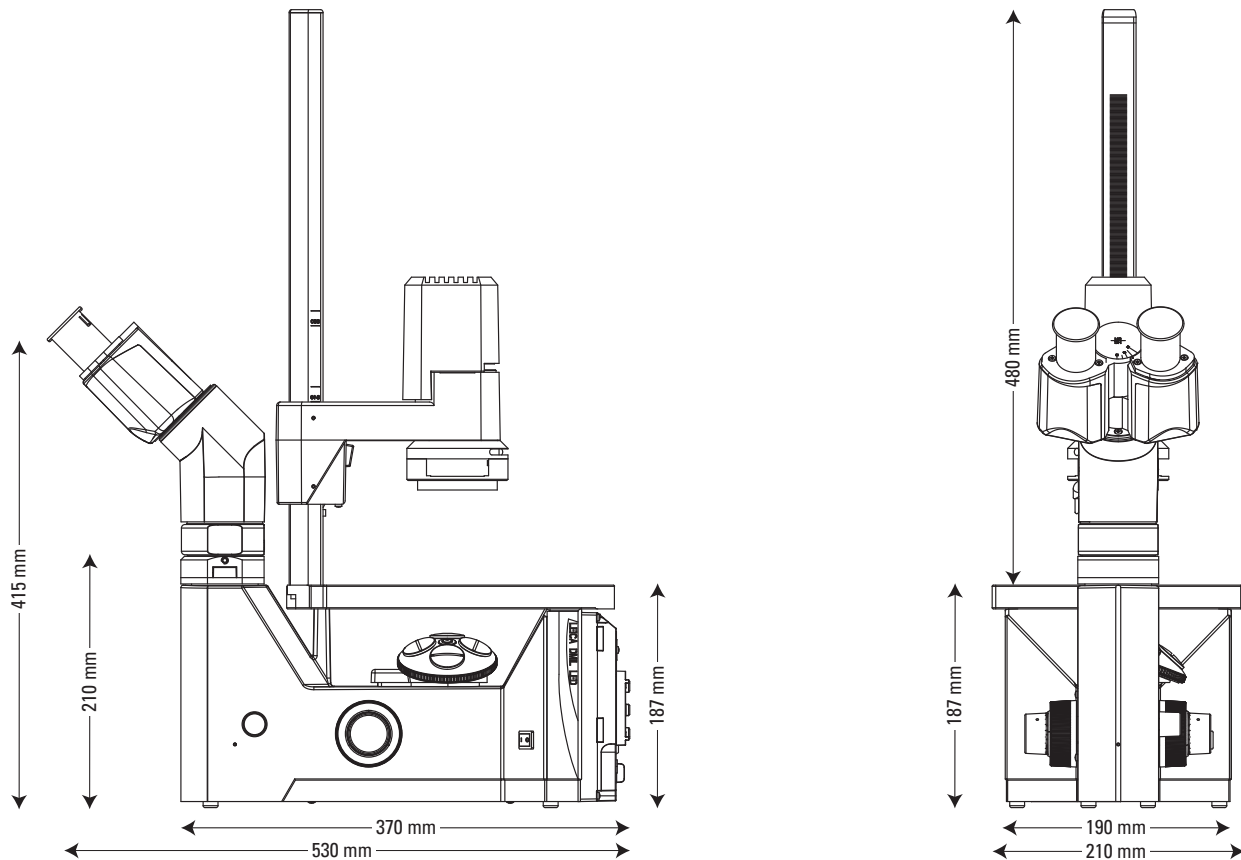
Leica DM IL LED CellFactory

Your dedicated partner for large-scale cell production

The Leica DM IL LED CellFactory provides a 480 mm transmitted light LED illumination column. It has integrated HC Optics and transmitted light LED Illumination (> 50.000 hours life time) as well as automatic brightness adjustment the contrast method and auto on/off function.

The inverted microscope's 20 mm field of view, high stability, and large working distance offers comfortable working conditions for microscopists.

- Ideal for large vessels up to 400 mm
- LED illumination (>50,000 hours life time)
- Optional phase contrast
- Compatible with a wide range of Leica Microsystems' accessories such as objectives, eyepieces, tubes, and other equipment for live cell imaging.



FLEXIBLE AND MODULAR

- Large number of tubes with and without photo port
- Full range of optical components
- Comprehensive application hardware can be adapted
- Different unheated and heated stages

WIDE VARIETY OF APPLICATIONS

- Cell biology, micromanipulation
- Medicine, biotechnology, inspection of cell and tissue cultures
- Developmental biology

OUTSTANDING OPTICS

- HC optics, compatible with high-end components
- Field of view 20 mm
- Vessel height of up to 400 mm

TRANSMITTED-LIGHT ILLUMINATOR

- 480 mm transmitted light illumination column
- 5 watt LED illumination
- Automatic adjustment of illumination to the contrast methods
- "Auto-off" function
- Illuminated on/off switch
- LED with service life of 50,000 hours
- Constant color temperatures, transmitted-light filter

PHASE CONTRAST

- For all magnification levels between 5x and 63x
- For all Leica DM IL LED condensers
- No installation or adjustment required

COST-EFFECTIVE AND EFFICIENT

- Low energy costs
- No lamp replacement required
- Objectives and eyepieces are compatible with the research stands
- Attractive price-performance ratio